

Impact Markers

Ideal for shift, plant or machine coding.

Self-contained marking system consisting of a rugged air cylinder with a built-in stamp holder in the rod end. Mounts directly on a transfer line for date or inspection coding using interchangeable steel type ... from 1 - 1/4" character to 10 - 1/16" characters. Markers available with capacities from 1 ton to 8 tons.

The Models 288 and 298 feature a double acting cylinder with marking pressures of 3 to 8 tons.

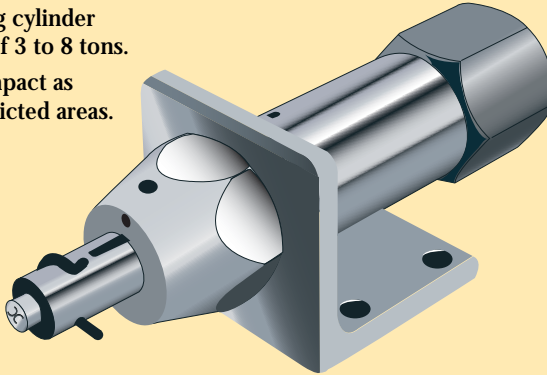
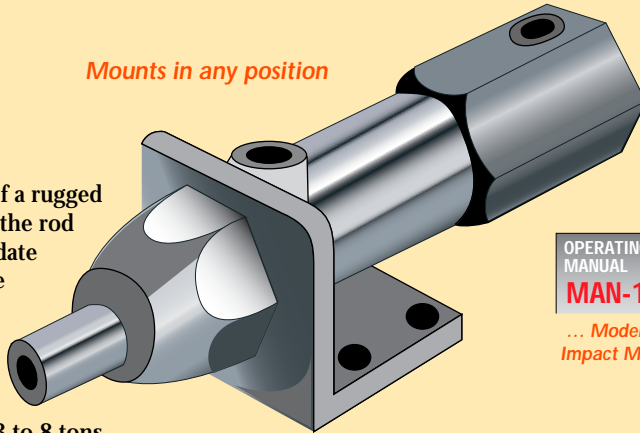
The Model 88 and 98 have a single acting cylinder (spring return) with marking pressures of 3 to 8 tons.

The Model 78 Mite-E-Mark can be as compact as 3 1/16" long ... enabling marking in constricted areas.

- Model 78** \$ 798.00
- Model 88** 778.00
- Model 98** 1136.00
- Model 288** ... 994.00
- Model 298** ... 1552.00

Delivery: 2 weeks

Mounts in any position



OPERATING MANUAL
MAN-125
... Model 288
Impact Marker

PARTS LIST
PL-104
... Model 288
Part List

OPERATING MANUAL
MAN-126
... Model 298
Impact Marker

PARTS LIST
PL-105
... Model 298
Part List

OPERATING MANUAL
MAN-123
... Model 88
Impact Marker

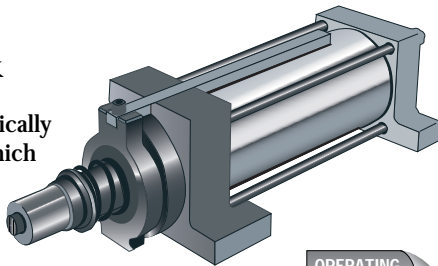
PARTS LIST
PL-102
... Model 88
Part List

OPERATING MANUAL
MAN-124
... Model 98
Impact Marker

PARTS LIST
PL-103
... Model 98
Part List

Model 751 Slide-A-Mark

Features an automatically adjustable stroke which allows part position variation within the full stroke range (2 1/2" to 12"). Maximum marking pressure of 8 tons. Retracted position limit switch actuator available.

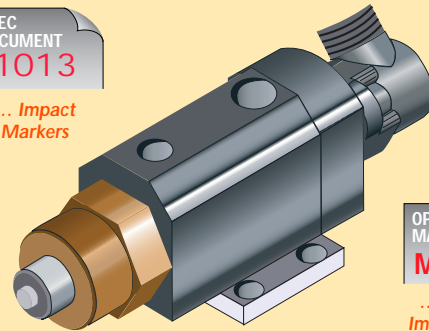


OPERATING MANUAL
MAN-127
... Model 751
Impact Marker

PARTS LIST
PL-106
... Model 751
Part List

Model 751 ... \$2888.00

SPEC DOCUMENT
1013
... Impact
Markers



OPERATING MANUAL
MAN-122
... Model 78
Impact Marker

PARTS LIST
PL-101
... Model 78
Part List

See IN-120B
for Steel Type
Specifications

Model	Stroke	Pressure	Rod Style B	Rod Style A	Rod Style GB	Rod Style GA	Rod Style AS38	Rod Style AS75
78	1"	1,500 lbs.	1 - CM7X	4 - CMF06	1 - CMTG	4 - CMV06		
	2"	2,200 lbs.		2 - CMF13				
88	2.5"	6,000 lbs.	1 - CM8X	4 - CMG06 2 - CMG13			6 - CMG06 3 - CMG13	
98	2.5"	16,000 lbs.	1 - CM9X	10 - CMG06 5 - CMG13				12 - CMG06 6 - CMG13
288	2.25"	6,000 lbs.	1 - CMX8	4 - CMG06 2 - CMG13			6 - CMG06 3 - CMG13	
298	2.25"	16,000 lbs.	1 - CM9X	10 - CMG06 5 - CMG13				12 - CMG06 6 - CMG13
751	2.5"	16,000 lbs.	1 - CMX9X	10 - CMG06 5 - CMG13				12 - CMG06 6 - CMG13